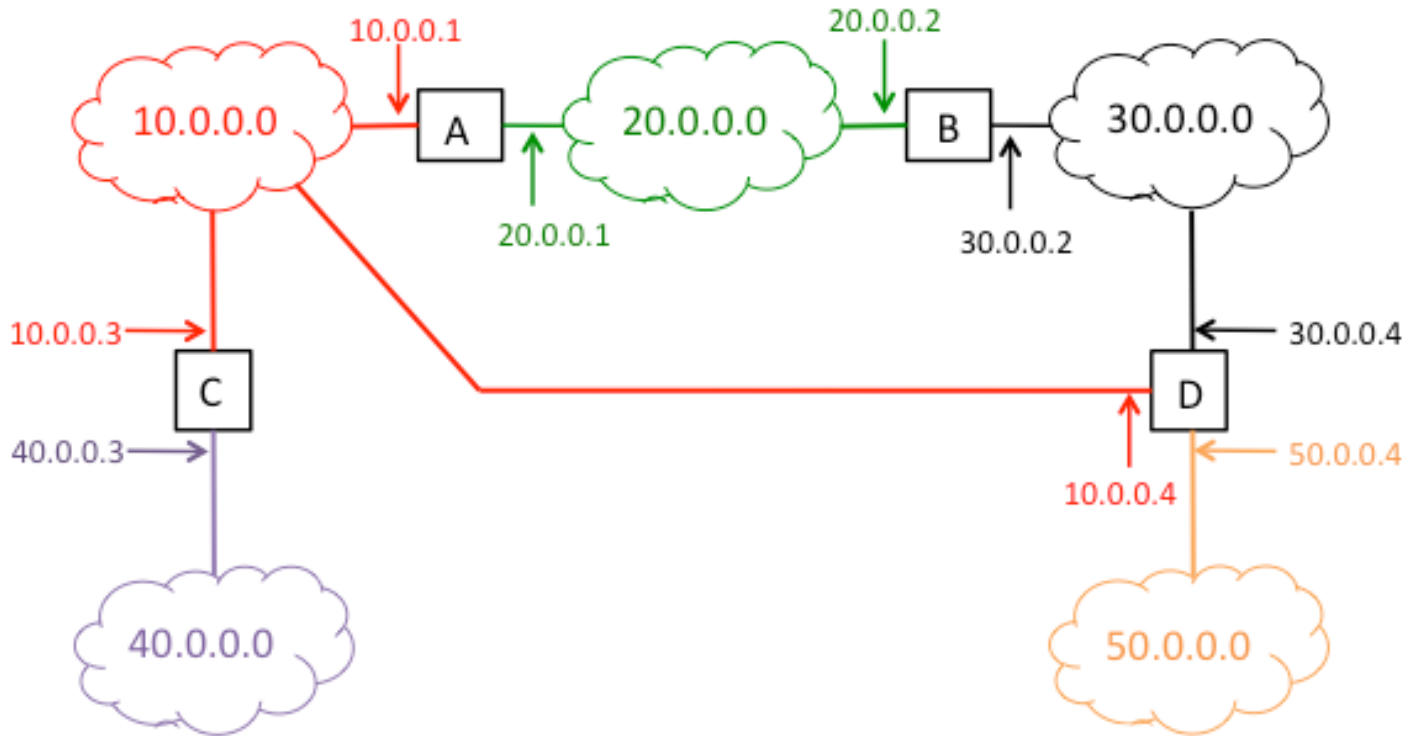
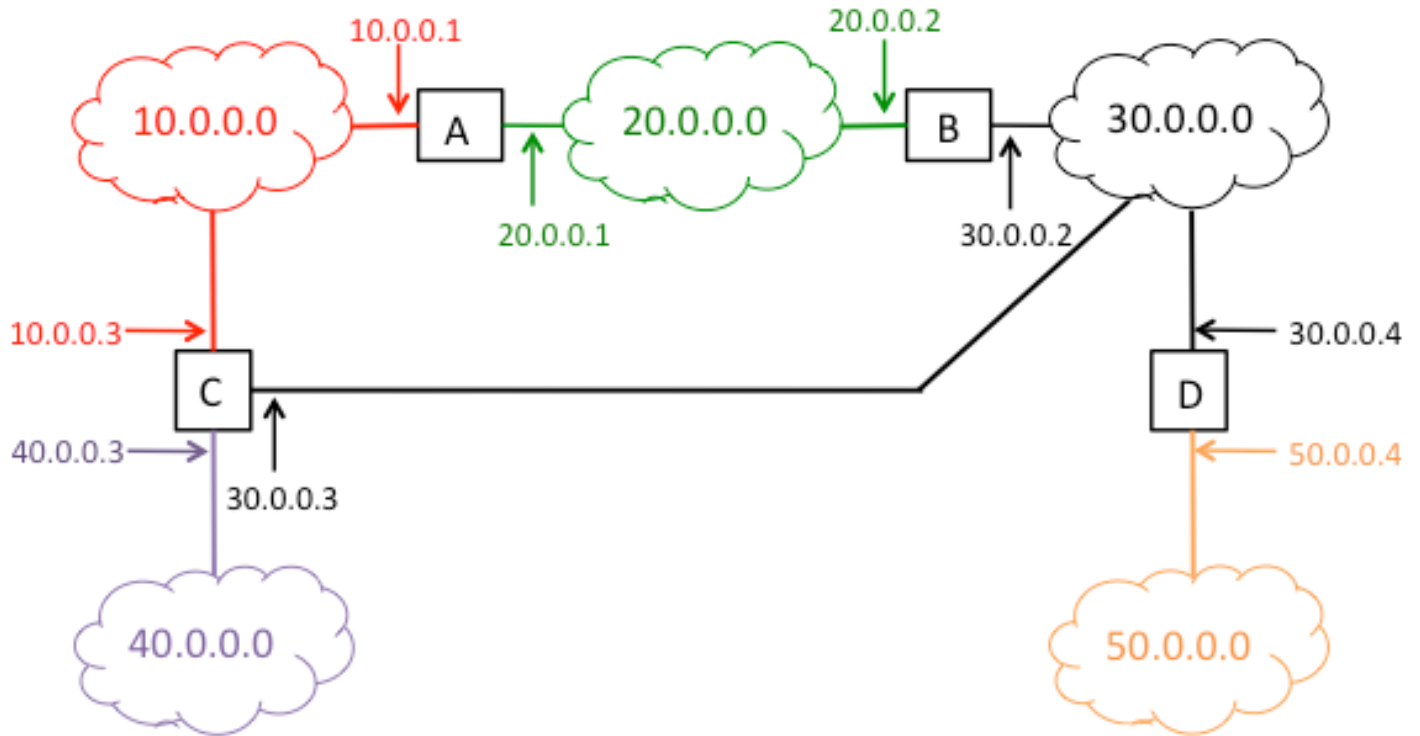


Version 1
20 Points

1. Each router in the autonomous system shown below starts with a routing table showing the networks they are directly connected to. The routers exchange routing information using a distance vector protocol. Show the messages that are exchanged and the state of the routing tables after each message. Use the provided Routing Tables sheet to show how the routers converge to complete and efficient routing tables.

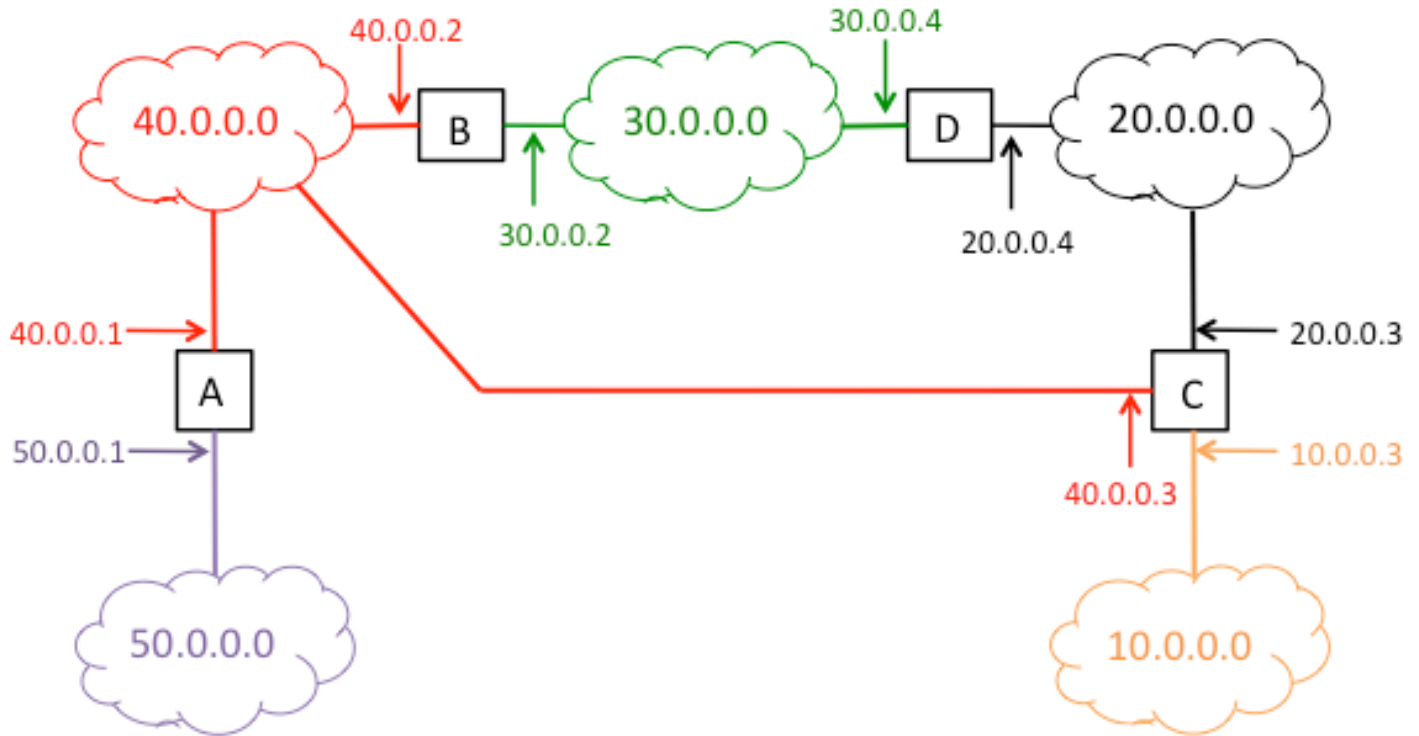


1. Each router in the autonomous system shown below starts with a routing table showing the networks they are directly connected to. The routers exchange routing information using a distance vector protocol. Show the messages that are exchanged and the state of the routing tables after each message. Use the provided Routing Tables sheet to show how the routers converge to complete and efficient routing tables.



Version 3
20 Points

1. Each router in the autonomous system shown below starts with a routing table showing the networks they are directly connected to. The routers exchange routing information using a distance vector protocol. Show the messages that are exchanged and the state of the routing tables after each message. Use the provided Routing Tables sheet to show how the routers converge to complete and efficient routing tables.



Version 4
20 Points

1. Each router in the autonomous system shown below starts with a routing table showing the networks they are directly connected to. The routers exchange routing information using a distance vector protocol. Show the messages that are exchanged and the state of the routing tables after each message. Use the provided Routing Tables sheet to show how the routers converge to complete and efficient routing tables.

